

STL series Stream Selector (Sequencer)

OVERVIEW

The ASHE STL series Stream Selectors are a range of micro-controller based Sequencers for Online Analyzers & Batch-type Analyzers (any make) with control Relay outputs and Analog signal retransmission outputs, offered in a highly compact, rugged and reliable execution. The instrument has six keys on the front panel, with which the operator can set the parameters and configure the instrument as desired.

The instrument performs sequencing logic and controls stream selection of up to six streams in analytical applications, using control Relay outputs for each stream, which can be synchronized by external Pulse or Timer. The instrument also provides analog outputs on Sample and Hold basis for each Stream. LED indications are provided on the front panel for display of status of Streams, Low and High Alarms of each channel.

The instrument offers a comprehensive display of parameters and menu selections on a brightly backlit 20-character x four-line OLED display. Options include Auto and Manual modes, Pulse or Timer based sequencing, etc. The instrument operates on universal AC power supply (90 to 270 V AC, 50/60 Hz) and is offered in standard panel-mount execution. The instrument has non-volatile memory.

Other features include its inherent accuracy and immunity to shocks, dust, ambient temperatures, and humidity. It is available in standard panel mounting enclosures. Further, the instrument is manufactured using selected high-grade components which guarantee its functionality and long operational life.

All ASHE range of instruments carry a lifetime warranty against defects in design and workmanship.



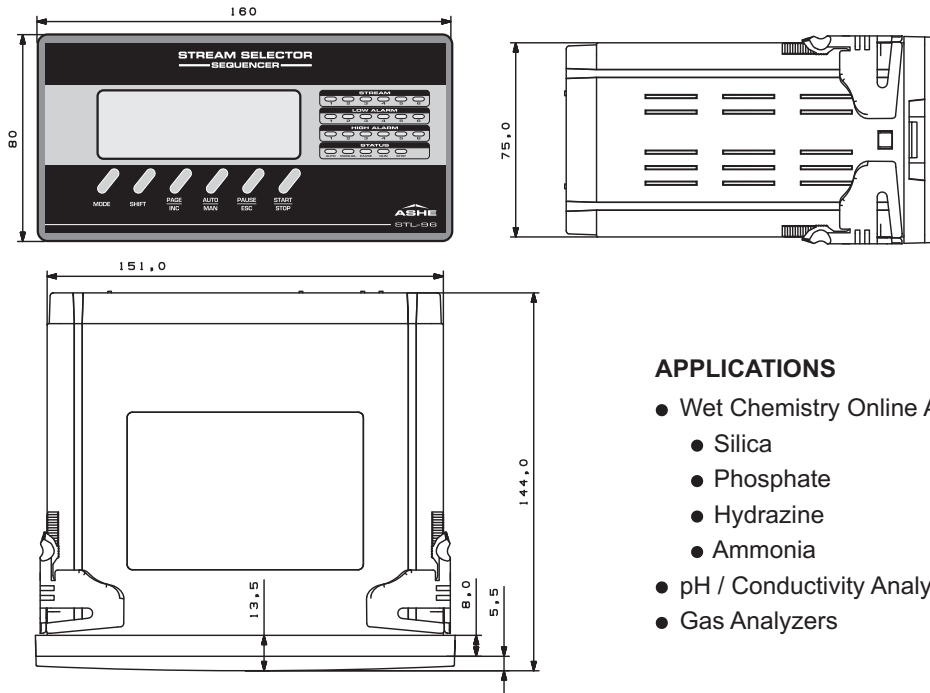
SPECIFICATIONS

Model	STL-92 [Two-Stream] STL-94 [Four-Stream] STL-96 [Six-Stream]
Type	Micro-controller based sequential Stream Selector.
Input Signal	Analog 4 to 20 mA DC from external Analyzer for each Stream. Digital 12 VDC Pulse Input from external Analyzer (For Stream Selection)
Number of Streams	Two / Four / Six.
Display	20 x 4 character Alphanumeric LCD/OLED Display LEDs for Stream status LEDs for indication of Low Alarms LEDs for Indication of High Alarms LEDs for Status Indication (Auto, Manual & Pause) LEDs for Start/Stop status indication
Scale Range	0000 to 9999 (Selectable) for Timer mode.
Response time	Typically 100 mS.
Control Outputs	For Streams 2/4/6 Potential-Free Relay Contacts For Low Alarms 2/4/6 Potential-Free Relay Contacts For High Alarms 2/4/6 Potential Free Relay Contacts
Contact rating	10 Ampere @ 230 V AC (Resistive Loads).
Analog Outputs	2/4/6 4-20 mA retransmission signals (primary active / secondary passive) Optionally, two outputs per stream can be offered.
Analog Signal Type	Sample and Hold
Load Capacity	600 Ohm
Memory	Non-Volatile (on EEPROM).
Settings	By six nos. of soft tactile keys on front panel.
Settable Features	Control Logic, Alarm Set points, Channel Skip etc.
Accuracy	± 0.3%
Power Supply	90 to 270 V AC, 50/60 Hz, universal AC power.
Enclosure	Panel mounting.
Bezel Dimensions	160 x 80 x mm
Cut-out Dimensions	151 x 75 mm
Depth	150 mm
Weight	Approximately 1 kg.

FEATURES

- Microcontroller based design.
- Easy handling
- Two / Four / Six Stream options
- Password protected
- Bright 20-character x Four-line OLED display
- Auto and Manual operations
- Time and Pulse mode options
- High accuracy and linearity to input signal
- Control Relay output for each Stream
- Fully configurable and programmable
- Retransmission of each stream signal.
- Sample and Hold facility for non-active channels
- Channel Skip feature
- Universal AC Power Supply
- Compact & rugged, industrial grade enclosure
- High Noise immunity.
- Panel mount installation
- Proven record of installations
- Lifetime warranty on design and workmanship

DIMENSIONAL DIAGRAM

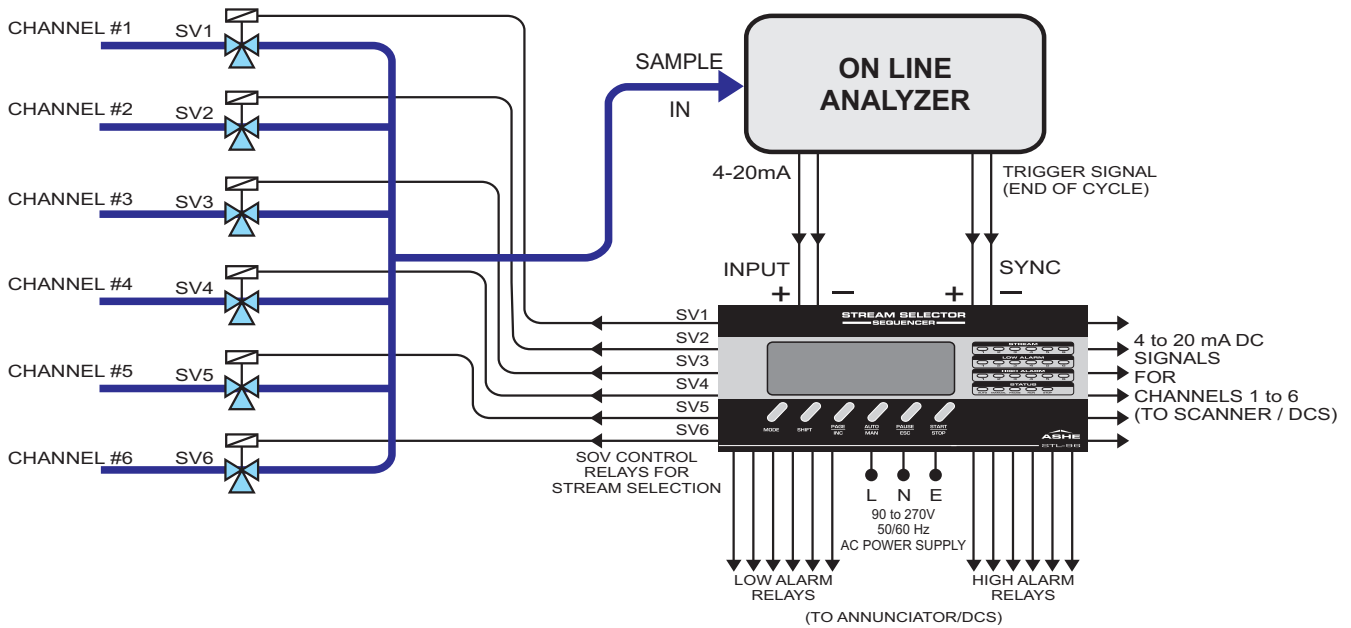


APPLICATIONS

- Wet Chemistry Online Analyzers like
 - Silica
 - Phosphate
 - Hydrazine
 - Ammonia
- pH / Conductivity Analyzers
- Gas Analyzers

SCHEMATIC DIAGRAM

LINE STREAMS
(SS316 TUBES)



OUR OTHER PRODUCTS



FLOW TOTALIZER



SIGNAL ISOLATORS & TRANSDUCERS



TEMPERATURE SCANNER



FLAMEPROOF INSTRUMENTS



STATIC POWER SWITCHES



ASHE CONTROLS PRIVATE LIMITED

6/317, 318 & 319, Jogani Industrial Complex, Near ATI, Sion-Trombay Road, Chunabhatti (East), Mumbai - 400 022, India.
Phone : (022) 2405 1561, 2405 5791, 2405 5543 • E-mail : sales@ashecontrols.com • Website: http://www.ashecontrols.com